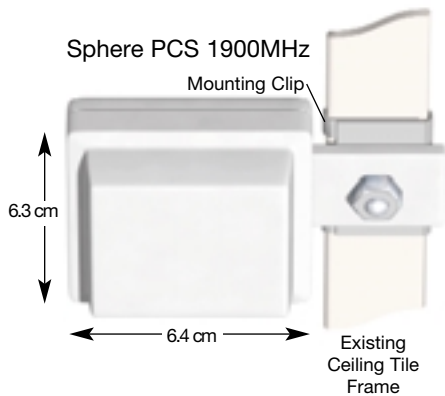




PRODUCT SHEET

The Sphere omnidirectional antenna provides a considerable gain improvement over traditional dipole antennas, within a remarkably small case that perfectly blends into its environment. It is particularly applicable in environments such as offices and hospitals, where aesthetics are critical to successful wireless deployment and wide angle coverage is necessary. For easy installation, the Sphere quickly attaches to a ceiling tile frame with a metal clip.



The Best Antennas Go Unseen<sup>SM</sup>



**SPECIFICATIONS**

Customized and scalable to meet your frequency and application requirements

	800 MHz	1900 MHz	2400 MHz
Element Type	Air-Loaded Patch	Air-Loaded Patch	Air-Loaded Patch
Frequency Range	824-896 MHz	1850-1990 MHz	2400-2500 MHz
Peak Gain	3.0 dBi	3.0 dBi	3.0 dBi
Polarization <sup>1</sup>	Linear	Linear	Linear
Pattern (Total Power)	Omnidirectional	Omnidirectional	Omnidirectional
Impedance	50 ohms	50 ohms	50 ohms
Maximum Input Power	50 watts	50 watts	50 watts
VSWR (Min. Performance)	2.0:1	2.0:1	1.5:1
Connector	Customer Choice	Customer Choice	Customer Choice
Size	10.4x13.5x3.6cm	6.4x6.3x2.7cm	6.4x6.3x1.7cm
Radome Material	ABS or Luran	ABS	ABS
Operating Temperature	-40° to +70° C	-40° to +70° C	-40° to +70° C
Storage Temperature	-40° to +70° C	-40° to +70° C	-40° to +70° C
Model Numbers <sup>2</sup>			
With SMA (male)	8000D3W-SM12	1900D3W-SM12	2450D3W-SM12

All models include a low-loss, RG142, plenum rated "pigtail" cable.

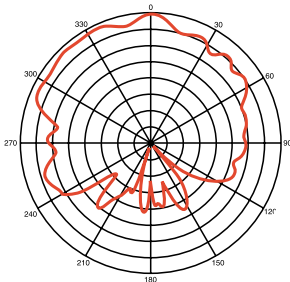
<sup>1</sup>Contains both vertical and horizontal components, the ratio of which varies with the spatial location.

<sup>2</sup>Please contact your Xertex representative for different connector options and their part numbers.

**Typical Antenna Patterns**

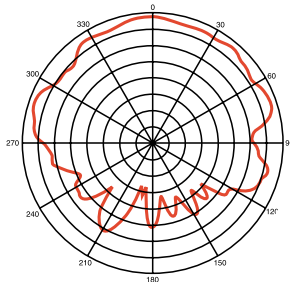
**Azimuth Plane**

(cut perpendicular to the antenna and perpendicular to the cable)



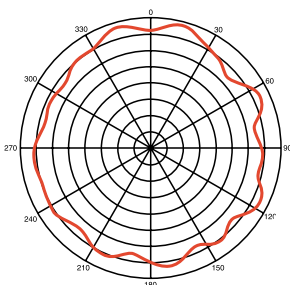
**Elevation Plane**

(cut perpendicular to the antenna along the cable axis)



**Omni Plane**

(cut in the plane of the antenna parallel to the cable)



As shown in these typical antenna patterns, the Sphere antenna offers excellent omnidirectional reception.

**Applications**

The versatile Sphere antenna is uniquely capable of being mounted onto any surface, including metal. The Sphere is frequently ceiling-mounted in office and professional environments requiring wide area coverage. The Sphere antenna's tolerance to surrounding materials expands its suitability to almost any application.

**Mounting**

The Sphere antenna is available with several mounting options, including a ceiling tile frame clip, double-sided adhesive tape, single or double gimbal mounting brackets. Whatever your mounting requirements, Xertex can design a solution to meet your needs.



452 Burbank Street  
 Broomfield, CO 80020  
 (303) 635-2000 phone  
 (303) 635-2003 fax  
 www.xertex.com